



W1 MILD STEEL
ZINC PLATED

W1 Mild Steel
Wormdrive Hose Clips

W4 304
STAINLESS
STEEL

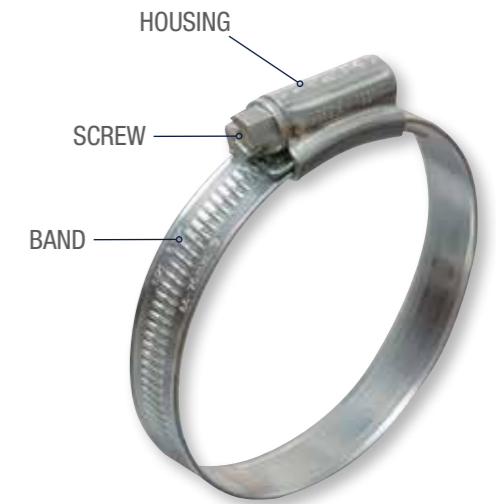
W4 304 Stainless Steel
Wormdrive Hose Clips



Eclipse Wormdrive Hose Clips

Hose Clips are tool box essentials designed to secure a hose over a fitting by clamping the hose down to prevent the fluid in the hose from leaking.

Available in a variety of sizes, Eclipse hose clips come in both **W1 Mild Steel** and **W4 304 Stainless Steel**.



Quality Standards

- Eclipse worm drive hose clips are manufactured to the highest of standards from the finest quality materials.
- They are manufactured and BS Kitemarked certified according to BS5315:1991



KM 722229
BS 5315:1991



Quality Testing for W1 Mild Steel and W4 304 Stainless Steel Hose Clips Tested in accordance with BS5315:1991

Torque Tests

- Hose clips are checked in production to ensure all products have low free turning torque but maintain high destructive torque.
- British Standard states that free turning torque should be less than 1.5 Nm and that maximum torque before destruction should be greater than the value of maximum torque as shown in the tables overleaf.

Corrosion Resistance Tests

- Hose clips are checked for corrosion resistance with a salt spray test in a chamber.
 - W1 corrosion resistant > 144 hours
 - W4 corrosion resistant > 500 hours

All Eclipse Hose Clips are manufactured to the highest standards and exceed the manufacturing standards required to meet BS5315:1991

Pressure Tests

- Hose Clips are checked in production to ensure that they are circular in shape and can be sealed tightly on a hose.
- A hydraulic pressure test is carried out to ensure the clips can seal tightly and function correctly under high pressure.
- British Standard states the clamp should be stable in excess of the pressures imparted below in the table depending on the diameter of the clamp.

Diameter	Pressure	
	Mpa	Psi
12 - 30mm	1.4	203
35 - 70mm	0.7	102
80 - 140mm	0.3	44

W1 MILD STEEL
ZINC PLATED

ECLIPSE
PROFESSIONAL TOOLS

Eclipse W1 Mild Steel Wormdrive Hose Clips

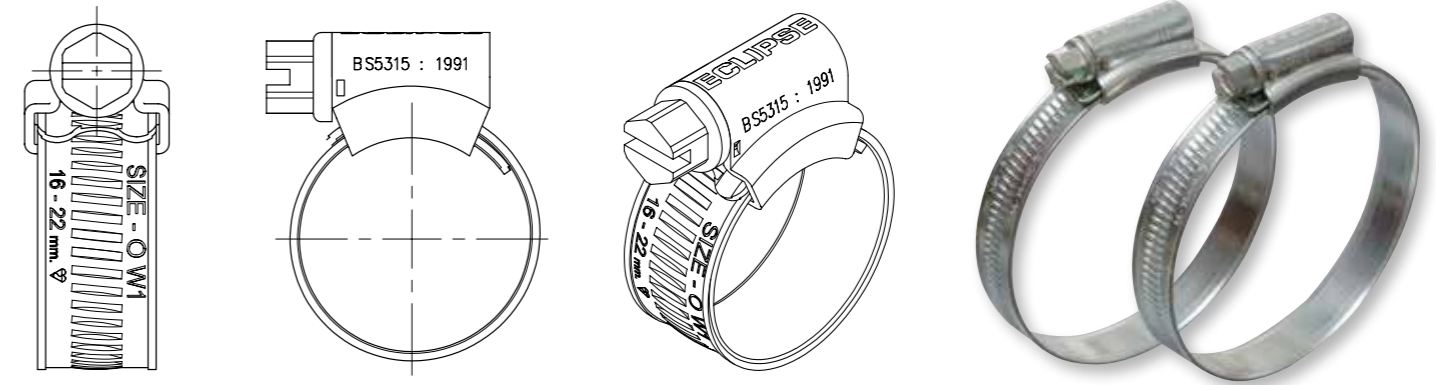
Ideal for general purpose usage in automotive, agriculture, hardware / DIY, Construction, gardening and many applications where a medium requirement of corrosion resistance is required.

- W1 wormdrive hose clips are manufactured from the finest cold rolled mild steel with zinc plated surface treatment for a degree of corrosion resistance.
- Corrosion resistance tested in salt spray test > 144 hours
- They are fully serrated enabling extra flexibility when adjusting the clip to the correct size.
- Bright Silver plated finish with full serrations.
- Trivalent Chromate plating (Cr3) for ROHS compliance
- 7mm Slotted screw for ease of use
- The band is processed to erase any burrs from the edges and to increase strength ensuring a high destructive torque
- The band thread is cold formed and results in a smooth underside surface profile to optimise hose protection, especially for protecting soft hoses from damage during installation, providing exterior hose wall protection
- The housing is riveted for extra strength and provides smooth contact with the hose.

W1 MILD STEEL ZINC PLATED HOSE CLIPS TYPICAL APPLICATIONS



- Available in 5 piece and 10 piece boxes
- Larger sizes packaged in plastic bags
- Counter top point of sale display unit available



Eclipse W1 Mild Steel Hose Wormdrive Clips Range

Part No.	Range (mm)	Range (inches)	BS Size	Band Width	Recommended Torque (Nm)	Maximum Torque (Nm)	Pack Qty.	Pack Type
ECW1-000	9.5-12mm	3/8"-1/2"	12	9.5mm	3.4	4.5	10	Cardboard Box
ECW1-M00	11-16mm	1/2"-5/8"	16	9.5mm	3.4	4.5	10	Cardboard Box
ECW1-00	13-20mm	1/2"-3/4"	20	9.5mm	3.4	4.5	10	Cardboard Box
ECW1-0	16-22mm	5/8"-7/8"	22	12.0mm	4.2	5.6	10	Cardboard Box
ECW1-0X	18-25mm	3/4"-1"	25	12.0mm	4.2	5.6	10	Cardboard Box
ECW1-1A	22-30mm	7/8"-1 1/8"	30	12.0mm	5.1	6.8	10	Cardboard Box
ECW1-1	25-35mm	1"-1 3/8"	35	12.0mm	5.1	6.8	10	Cardboard Box
ECW1-1X	30-40mm	1 1/8"-1 5/8"	40	12.0mm	5.1	6.8	10	Cardboard Box
ECW1-2A	35-50mm	1 3/8"-1 3/4"	50	12.0mm	5.9	6.8	10	Cardboard Box
ECW1-2	40-55mm	1 5/8"-2 1/8"	55	12.0mm	5.9	7.9	10	Cardboard Box
ECW1-2X	45-60mm	1 3/4"-2 3/8"	60	12.0mm	5.9	7.9	10	Cardboard Box
ECW1-3	55-70mm	2 1/8"-2 3/4"	70	12.0mm	6.8	9.0	5	Cardboard Box
ECW1-3X	60-80mm	2 3/8"-3 1/8"	80	12.0mm	6.8	9.0	5	Cardboard Box
ECW1-4	70-90mm	2 3/4"-3 1/2"	90	12.0mm	6.8	9.0	5	Cardboard Box
ECW1-4X	85-100mm	3 1/8"-4"	100	12.0mm	6.8	9.0	5	Cardboard Box
ECW1-5	90-120mm	3 1/2"-4 3/4"	120	12.0mm	6.8	9.0	5	Cardboard Box
ECW1-6	100-125mm	4"-5"	125	12.0mm	6.8	9.0	5	Cardboard Box
ECW1-6X	130-150mm	5 1/8"-5 3/4"	150	12.0mm	6.8	9.0	5	Cardboard Box
ECW1-7	130-160mm	5 1/8"-6 1/4"	160	12.0mm	5.9	7.9	10	Plastic Bag
ECW1-8	150-180mm	5 7/8"-7 1/8"	180	12.0mm	5.9	7.9	10	Plastic Bag
ECW1-9	170-200mm	6 5/8"-7 7/8"	200	12.0mm	5.9	7.9	10	Plastic Bag
ECW1-10	190-230mm	7 1/2"-9"	230	12.0mm	5.9	7.9	10	Plastic Bag
ECW1-11	220-250mm	8 7/8"-10"	250	12.0mm	5.9	7.9	10	Plastic Bag
ECW1-12	240-280mm	9 7/8"-11"	280	12.0mm	5.9	7.9	10	Plastic Bag
ECW1-13*	270-300mm	10 7/8"-12"	300	12.0mm	5.9	7.9	10	Plastic Bag
ECW1-14*	290-330mm	11 7/8"-13"	330	12.0mm	5.9	7.9	10	Plastic Bag

*BS Kitemark under application

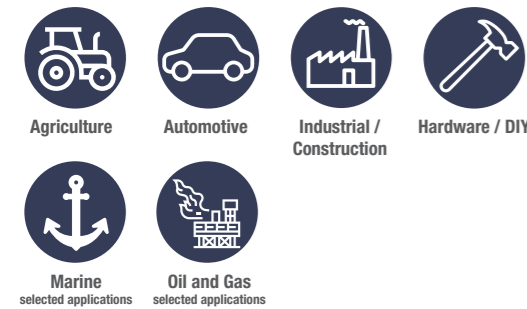


Eclipse W4 304 Stainless Steel Wormdrive Hose Clips

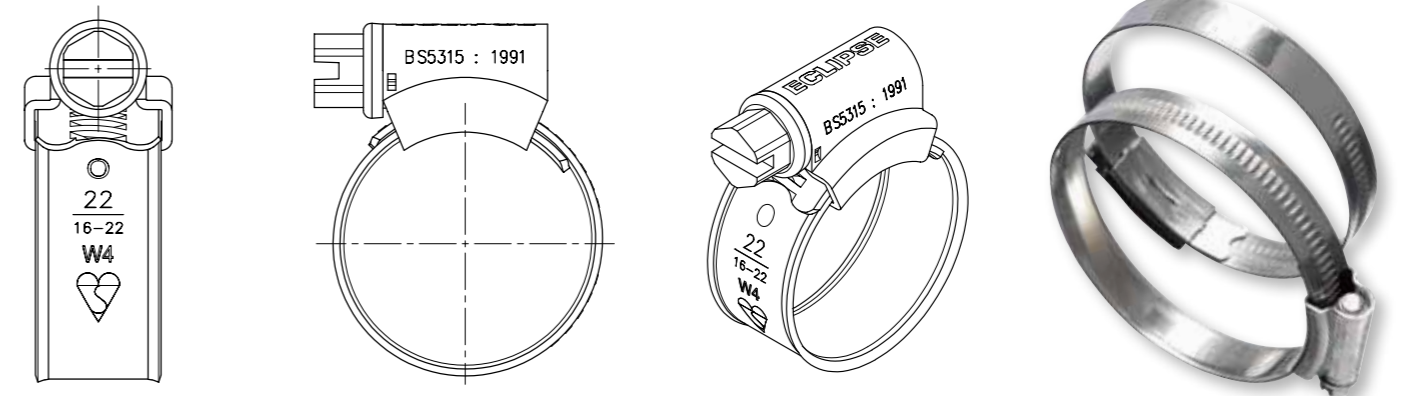
Ideal for various industrial, construction, automotive, agricultural, hardware / DIY, selected oil, gas and marine applications where a high requirement for corrosion resistance is required.

- W4 wormdrive hose clips are manufactured from the finest 304 grade stainless steel (Austenitic grade 18% Chromium / 8% Nickel) for a high degree of corrosion resistance
- Corrosion resistance tested in salt spray test > 500 hours
- Bright Silver plated finish with partial serrations
- Trivalent Chromate plating (Cr3) for ROHS compliance
- 7mm Slotted screw for ease of use
- The band is processed to erase any burrs from the edges and to increase strength ensuring a high destructive torque
- The band thread is cold formed and results in a smooth underside surface profile to optimise hose protection, especially for protecting soft hoses from damage during installation, providing exterior hose wall protection
- The housing is riveted for extra strength and provides smooth contact with the hose.

W4 304 STAINLESS STEEL HOSE CLIPS TYPICAL APPLICATIONS



- Available in 5 piece and 10 piece boxes
- Larger sizes packaged in plastic bags
- Counter top point of sale display unit available



Eclipse W4 304 Stainless Steel Wormdrive Hose Clips Range

Part No.	Range (mm)	Range (inches)	BS Size	Band Width	Recommended Torque (Nm)	Maximum Torque (Nm)	Pack Qty.	Pack Type
ECW4-000	9.5-12mm	3/8"-1/2"	12	9.5mm	3.4	4.5	10	Cardboard Box
ECW4-M00	11-16mm	1/2"-5/8"	16	9.5mm	3.4	4.5	10	Cardboard Box
ECW4-00	13-20mm	1/2"-3/4"	20	9.5mm	3.4	4.5	10	Cardboard Box
ECW4-0	16-22mm	5/8"-7/8"	22	12.0mm	4.2	5.6	10	Cardboard Box
ECW4-0X	18-25mm	3/4"-1"	25	12.0mm	4.2	5.6	10	Cardboard Box
ECW4-1A	22-30mm	7/8"-1 1/8"	30	12.0mm	5.1	6.8	10	Cardboard Box
ECW4-1	25-35mm	1"-1 3/8"	35	12.0mm	5.1	6.8	10	Cardboard Box
ECW4-1X	30-40mm	1 1/8"-1 5/8"	40	12.0mm	5.1	6.8	10	Cardboard Box
ECW4-2A	35-50mm	1 3/8"-1 3/4"	50	12.0mm	5.9	6.8	10	Cardboard Box
ECW4-2	40-55mm	1 5/8"-2 1/8"	55	12.0mm	5.9	7.9	10	Cardboard Box
ECW4-2X	45-60mm	1 3/4"-2 3/8"	60	12.0mm	5.9	7.9	10	Cardboard Box
ECW4-3	55-70mm	2 1/8"-2 3/4"	70	12.0mm	6.8	9.0	5	Cardboard Box
ECW4-3X	60-80mm	2 3/8"-3 1/8"	80	12.0mm	6.8	9.0	5	Cardboard Box
ECW4-4	70-90mm	2 3/4"-3 1/2"	90	12.0mm	6.8	9.0	5	Cardboard Box
ECW4-4X	85-100mm	3 1/8"-4"	100	12.0mm	6.8	9.0	5	Cardboard Box
ECW4-5	90-120mm	3 1/2"-4 3/4"	120	12.0mm	6.8	9.0	5	Cardboard Box
ECW4-6	100-125mm	4"-5"	125	12.0mm	6.8	9.0	5	Cardboard Box
ECW4-6X	130-150mm	5 1/8"-5 3/4"	150	12.0mm	6.8	9.0	5	Cardboard Box
ECW4-7	130-160mm	5 1/8"-6 1/4"	160	12.0mm	5.9	7.9	10	Plastic Bag
ECW4-8	150-180mm	5 7/8"-7 1/8"	180	12.0mm	5.9	7.9	10	Plastic Bag
ECW4-9	170-200mm	6 5/8"-7 7/8"	200	12.0mm	5.9	7.9	10	Plastic Bag
ECW4-10	190-230mm	7 1/2"-9"	230	12.0mm	5.9	7.9	10	Plastic Bag
ECW4-11	220-250mm	8 7/8"-10"	250	12.0mm	5.9	7.9	10	Plastic Bag
ECW4-12	240-280mm	9 7/8"-11"	280	12.0mm	5.9	7.9	10	Plastic Bag



Eclipse Wormdrive Hose Clips

Available from all good professional tools stockists

CELEBRATING
OVER
100
YEARS
OF EXPERIENCE

**CONTACT
US!**

GLOBAL CUSTOMER SERVICE CENTRE

Neill Tools Ltd.

A Spear & Jackson Group Company

Atlas Way, Atlas North

Sheffield S4 7QQ, England

Tel: +44 (0)1142 814 242

Fax: +44 (0)1142 814252

Email: sales@eclipse-tools.com (Non-UK Markets)

Email: sales@spear-and-jackson.com

Follow us on:



FIND OUT MORE AT www.eclipse-tools.co.uk



THE TOOLS
TO TRUST

